



# Digital Music Server



## FireBall SEi Series The music server built for integration

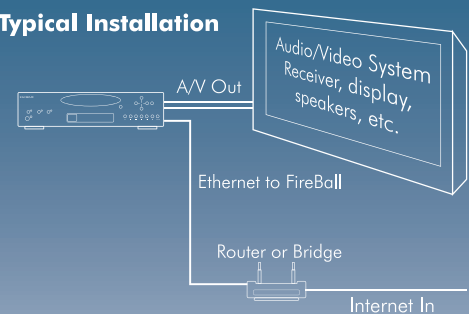
Introducing the FireBall SEi Series digital audio server from Escent, the world leader in digital media management systems. The SEi Series is packed with features that make it easy to integrate into even the most sophisticated entertainment systems. It's a CD Player, CD Recorder, Internet Radio Streamer, and digital audio server all in one high quality digital audio component. It's 500GB internal hard drive provides enough storage for thousands of CDs and if you get tired of those, feel free to tune in to any one of the free Internet Radio stations. Just think of all the space you'll save by hiding all those plastic CD cases!

Simply record your CDs to the FireBall's internal hard drive and leave the rest to Escent. The FireBall will automatically connect to the Internet and identify each CD you throw at it, providing you with the artist name, album name, song list, genre, and even covert art for every CD in your collection without ever having to type a single word!

Of course the FireBall SEi Series works great as a single room audio source to replace your CD player, but it doesn't end there. Attach a second SEi and you double the storage capacity with automatic music sharing and provides two independent audio sources or add the free FireBall-PC software and share music stored on your PC with your FireBall SEi. Want to go multi-room? No problem. The FireBall SEi easily integrates via IR, RS-232 or IP with popular multi-room control systems from Control4, AMX, Crestron, Philips, Xantech, RTI, Niles, and many others.

The FireBall SEi Series is the easiest and most affordable way to enjoy your music now and in the future.

### Typical Installation



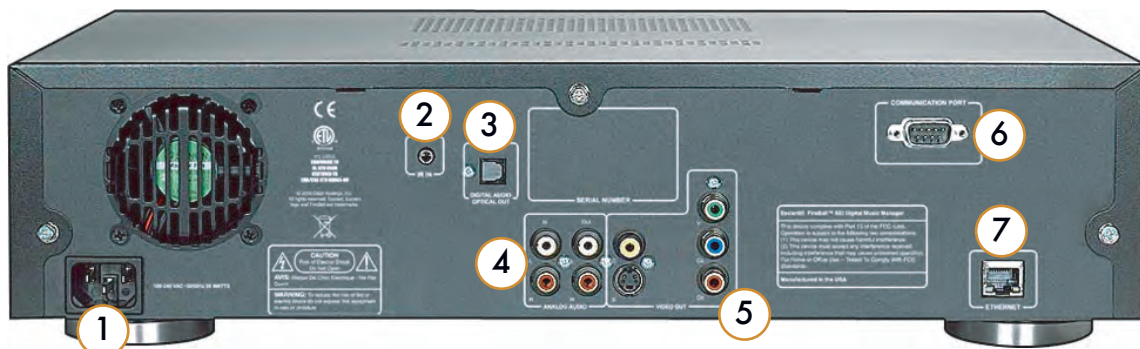
## KEY FEATURES:

- 500GB internal hard drives for storing digital music files
- Built-in CD-RW drive for playing, burning and ripping CDs
- Simple and intuitive on-screen user interface for browsing, selecting, and playing music, Internet Radio stations and for all system configuration and setup functions
- Automatic CD identification using Gracenote CDDB™ with cover art provided by AMG
- PC File Sharing for transferring music files to and from a PC or Mac
- FireBall-PC support for browsing and playing music stored the PC
- Web interface for remote control and music streaming via any standard web browser
- PDA interface for controlling FireBall from any pocket sized web enabled device
- One-way IR, Two-way RS-232, and Two-way TCP/IP external control capabilities
- Create custom playlists and genres
- Music playback in repeat and random modes
- Play any WMA or Shoutcast Internet Radio stations
- Create and edit Internet Radio stations
- Record audio to hard drive from any legacy analog or digital audio device (LPs, Cassettes, DAT, MD, etc.)
- Connects to other FireBall Music Servers to share music libraries
- User selectable 16x9 or 4:3 on-screen user interface
- Gapless playback feature for classical and live recordings
- Customizable user interface skins for an exciting new look

## HOURS OF AUDIO STORAGE CAPACITY:

HDD Storage	FLAC	MP3 (320)	MP3 (192)	MP3 (160)	MP3 (128)
500 GB	1416h	3373h	5622h	6746h	8432h

h = number of hours, approximately one hour per CD  
 FLAC is a CD quality variable bit rate encoder so the actual number of hours will vary depending on the music content



## BACK PANEL CONNECTIONS:

1. POWER
2. IR IN
3. DIGITAL AUDIO OUT (Optical)
4. ANALOG AUDIO IN and OUT (Stereo)
5. VIDEO OUT (Composite, S-Video, and Component)
6. RS-232 COMMUNICATION PORT
7. ETHERNET

## MINIMUM SYSTEM REQUIREMENTS:

- Video display device
- Internet connection

## LANGUAGES SUPPORTED:

- English / French / German / Italian / Spanish

## DIMENSIONS:

- 43.8cm W x 28.6cm D x 12.2cm H

## SUPPORTED AUDIO FORMATS:

- CD-Audio / MP3 / WMA / FLAC

## SUPPORTED VIDEO FORMATS:

- NTSC / Pal M / Pal B,G,H,I / Pal N

## INCLUDED ACCESSORIES AND CABLES:

- IR Remote
- A/V cables
- Ethernet cable
- Power cord

## OPTIONAL ACCESSORIES:

- Other FireBall models for multi-zone support
- FireBall FP-1
- IR Keyboard for ease of editing



FireBall is compliant with legal guidelines for music recording. CD media that can be used for recording is either CD-Ra or CD-RWa. CD-R and CD-RWs cannot be used. Broadband is recommended for connection. ISP may be used. Please note: some free ISPs don't use standard, consistent methods of Internet connectivity and don't open networks to outside users. Call for recommendations.

Escient reserves the right to change product hardware, features and software without notice. Upon any change, materials are updated as quickly as possible, but may not be reflected in documents already distributed. Supported hardware is updated continually. If you wish to interface with hardware that is not listed on this data sheet, please call Escient at 800.372.4368.

©2007 Escient. All rights reserved. Escient and the Escient logo are registered trademarks and FireBall and Physital are trademarks of Escient and D&M Holdings. All other trademarks are property of their respective owners. 02/07



WWW.ESCIENT.COM  
 800-372-4368  
 317-616-6789

6640 Intech Blvd  
 Suite 250  
 Indianapolis, IN 46270

