

LEDP75 product information sheet

Product Specifications

Fits most: 23" - 60" flat panels

Supports up to: 75 lbs (34 kg)

Tilt: -10° to +10°

Mounting profile: 0.6" (15mm) in-wall; 2.23" (57mm) on-wall

Maximum extension: 11.06" (281mm) in-wall;
12.68" (322mm) on-wall

Lateral Shift: 11.35" (288mm)

VESA compliant: 100x100 to 400x600

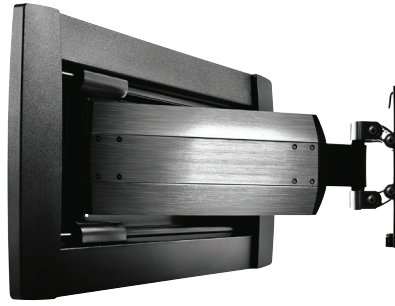
Mounting: 16" double-stud in-wall;
single- or double-stud on wall; solid wall

Warranty: 5 years

Color: Black

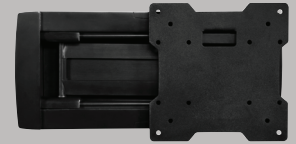
Product Benefits

- Dual-Mode Installation™ for low profile on-wall mounting or flush in-wall mounting
- Tilt, pan, swivel with ArmGlide™ for perfect TV placement
- Unique arm design nests completely for a flush profile to complements ultra thin TVs
- Compatible with LED, LCD, Plasma and 3D TVs
- Engineered from extruded aluminum with a brushed and anodized finish
- Delrin™ bushings for smooth movement at every joint
- Integrated cable management hides and routes wires
- Post-installation screen leveling
- On-wall bezel has knock-outs for cable management and tabs to guide wires
- Cable management gasket allows wires to pass through back of box while still providing a nearly airtight seal
- Includes adapters for greater VESA compatibility
- Lift n' Lock™ for easy and quick installation
- Trim plate conceals mounting hardware and is paintable to match any wall
- Installation template for simple and accurate mounting
- Eco friendly product design and packaging
- Includes complete hardware kit



The LEDP75 is designed with a fully nesting single arm and our exclusive, patent-pending Dual-Mode Installation™ allowing you to mount it on the wall for a low profile look or in the wall for a completely hidden look.

Series



LEDP75



LEDW60



LEDW120



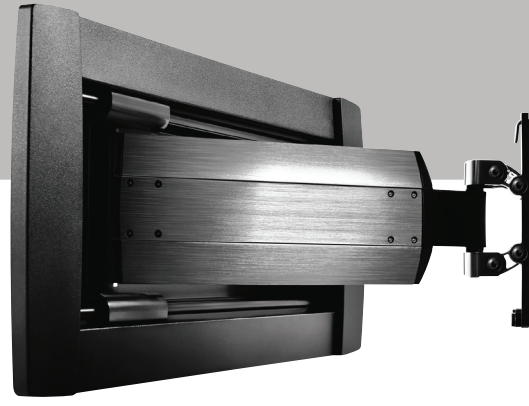
OmniMount, an innovator of A/V mounts and furniture for more than a quarter century, is the choice of professional installers and the brand most recommended by flat panel manufacturers. With aircraft-grade materials, patent-pending technology and ultra thin profiles, the LED Series is the next generation of TV mounts designed for newer, lightweight LED, LCD, Plasma and 3D TVs. Designed specifically for LED TVs, the LEDP75 is the only full motion mount that offers Dual-Mode Installation™ for low profile on-wall mounting or flush in-wall mounting.



LEDP75 technical data sheet



OmniMount, an innovator of A/V mounts and furniture for more than a quarter century, is the choice of professional installers and the brand most recommended by flat panel manufacturers. With aircraft-grade materials, patent-pending technology and ultra thin profiles, the LED Series is the next generation of TV mounts designed for newer, lightweight LED, LCD, plasma and 3D TVs. Designed specifically for LED TVs, the LEDP75 is the only full motion mount that offers Dual-Mode Installation™ for low profile on-wall mounting or flush in-wall mounting.



Product Specifications

Fits most: 23" - 60" flat panels

Supports up to: 75 lbs (34 kg)

Tilt: -10° to +10°

Mounting profile: 0.6" (15mm) in-wall;
2.23" (57mm) on-wall

Maximum extension: 11.06" (281mm) in-wall;
12.68" (322mm) on-wall

Lateral Shift: 11.35" (288mm)

VESA compliant: 100x100 to 400x600

Mounting: 16" double-stud in-wall;
single- or double-stud on wall; solid wal

Warranty: 5 years

Color: Black

Product Benefits

- Dual-Mode Installation™ for low profile on-wall mounting or flush in-wall mounting
- Tilt, pan, swivel with ArmGlide™ for perfect TV placement
- Unique arm design nests completely for a flush profile to complements ultra thin TVs
- Compatible with LED, LCD, Plasma and 3D TVs
- Engineered from extruded aluminum with a brushed and anodized finish
- Delrin™ bushings for smooth movement at every joint
- Integrated cable management hides and routes wires
- Post-installation screen leveling
- On-wall bezel has knock-outs for cable management and tabs to guide wires
- Cable management gasket allows wires to pass through back of box while still providing a nearly airtight seal
- Includes adapters for greater VESA compatibility
- Lift n' Lock™ for easy and quick installation
- Trim plate conceals mounting hardware and is paintable to match any wall
- Installation template for simple and accurate mounting
- Eco friendly product design and packaging
- Includes complete hardware kit

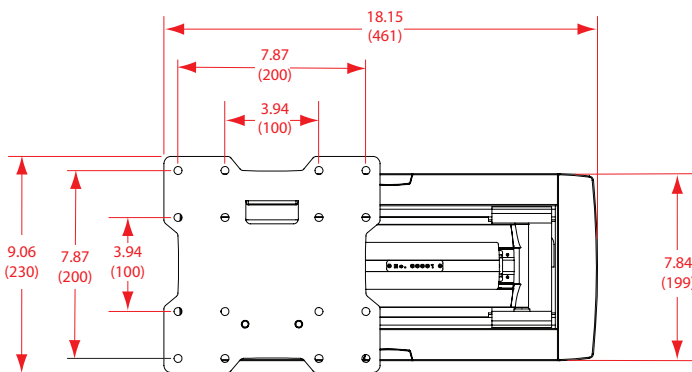
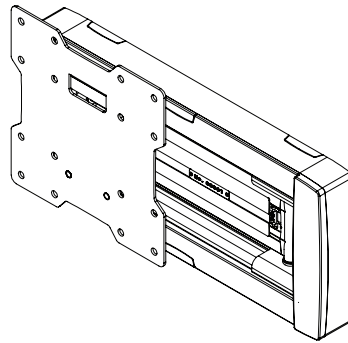
	Stock Code	Packaging UPC	MC UPC
Americas	1004855-1	728901026645	728901720093
International	1004855INT-1	728901026645	728901720093

	Dimensions WxDxH Inches (mm)	Wt lbs (kg)
Product Box	14.2 x 21.7 x 2.8 (360x550x70)	13.2 (6)
Master Carton	15.4 x 23.6 x 5.9 (390x600x150)	28.7 (13)

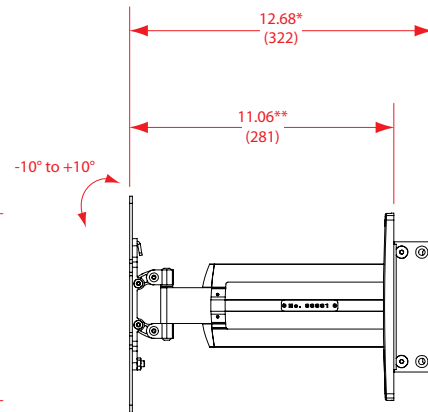
Box Contents	Qty
Mount	1
In-wall trim	1
On-wall trim	1
Adapter	4

Box Contents	Qty
Complete panel attachment hardware kit	1
Complete mount installation hardware kit	1
Installation template	1
Instruction manual	1

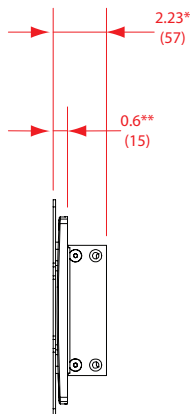
LEDP75 line drawing



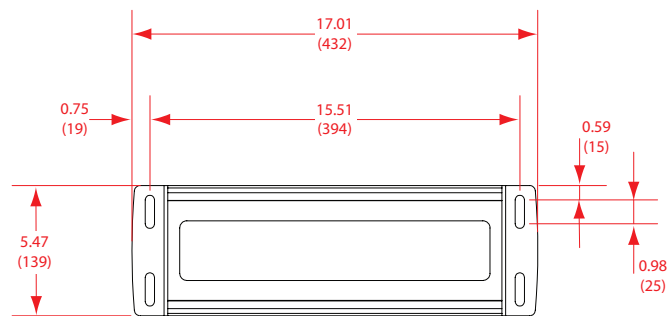
FRONT VIEW



MAXIMUM EXTENSION



MOUNTING PROFILE



WALL MOUNTING

* on-wall mounting
** in-wall mounting

inches (mm)

Architects Specifications

The flat panel shall be an Omnimount model LEDP75 and shall be located where indicated on the plans. It shall be constructed of Aluminum Extrusions in combination with sheet metal components. Assembly and installation shall be done according to instructions provided by the manufacturer.