

ULPT-X product information sheet

Product Specifications

Fits most: 55" to 75" flat panels

Supports up to: 300 lbs (136.1 kg)

Tilt: 0 to +15°

Mounting profile: 1.5" (37mm)

Universal & VESA compliant: 200x400, 200x600, 200x800, 300x400, 400x400, 400x600, 400x800

Mounting: Triple-stud

Color: Black

Product Benefits

- Ultra low profile design
- Built-in kickstand allows for easy access to wiring
- Universal rails for greater panel compatibility
- Tension adjustment for variable tilt
- Sliding lateral on-wall adjustment
- Open architecture for trim out
- Lift n' Lock™ for easy installation
- Locking system for added safety
- Anti-theft security feature
- Wall plate covers conceal mounting hardware for lag screws
- Extruded aluminum end caps present a clean side view
- Includes installation template and complete Grade 5 hardware kit



The ULPT-X is designed with an innovative built-in kickstand so access to wiring requires only one person and no vertical lifting.



2007 Electronic Lifestyles®
Award Winner

Series



ULPT-M



ULPF-M



ULPT-L



ULPF-L



ULPT-X



ULPF-X



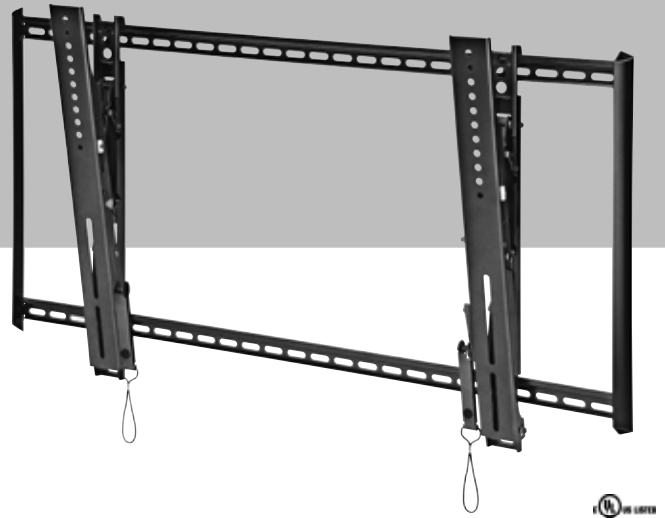
OmniMount, an innovator of A/V mounts and furniture for more than a quarter century, is the choice of professional installers and the brand most recommended by flat panel manufacturers. The Ultra Low Profile Series offers a sleek and slim design without compromising functionality. The ULPT-X supports 55" - 75" flat panels and has a slim 1.5" mounting profile making it an ideal tilt mounting solution when seamless integration counts most.



ULPT-X technical data sheet



OmniMount, an innovator of A/V mounts and furniture for more than a quarter century, is the choice of professional installers and the brand most recommended by flat panel manufacturers. The Ultra Low Profile Series offers a sleek and slim design without compromising functionality. The ULPT-X supports 55" - 75" flat panels and has a slim 1.5" mounting profile making it an ideal tilt mounting solution when seamless integration counts most.



Product Specifications

Fits most: 55" to 75" flat panels

Supports up to: 300 lbs (136.1 kg)

Tilt: 0 to +15°

Mounting profile: 1.5" (37mm)

Universal & VESA compliant: 200x400, 200x600, 200x800, 300x400, 400x400, 400x600, 400x800

Mounting: Triple-stud

Color: Black

Product Benefits

- Ultra low profile design
- Built-in kickstand allows for easy access to wiring
- Universal rails for greater panel compatibility
- Tension adjustment for variable tilt
- Sliding lateral on-wall adjustment
- Open architecture for trim out
- Lift n' Lock™ for easy installation
- Locking system for added safety
- Anti-theft security feature
- Wall plate covers conceal mounting hardware for lag screws
- Extruded aluminum end caps present a clean side view
- Includes installation template and complete Grade 5 hardware kit

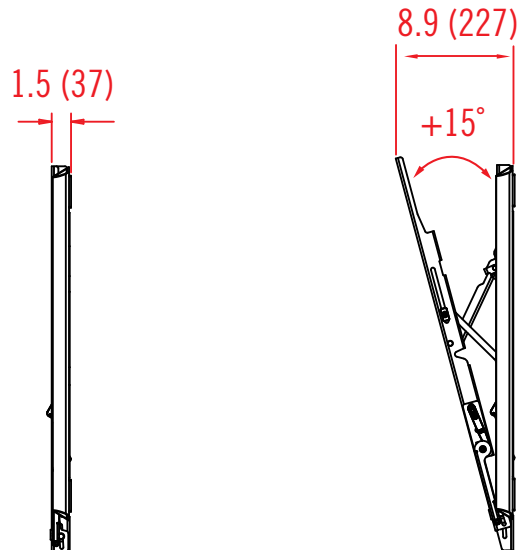
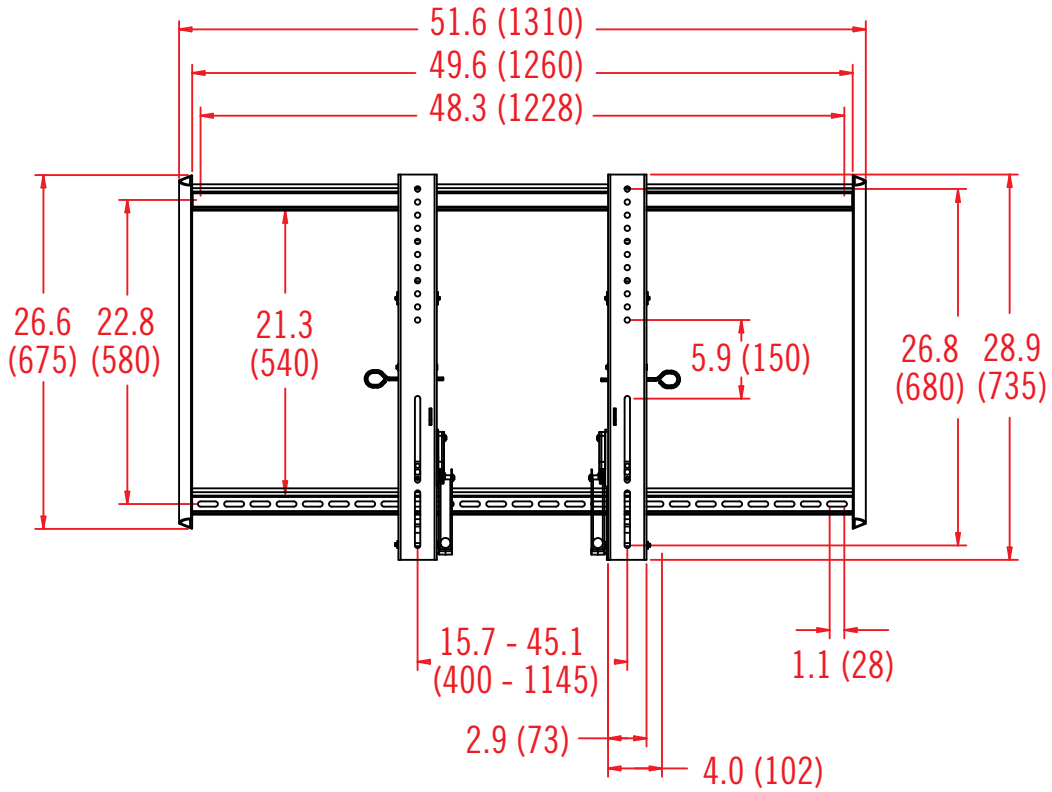
	Stock Code	Packaging UPC	MC UPC
Americas	1003467-1	728901019531	NA
International	1003467EU-1	728901019616	NA

	Dimensions WxDxH Inches (mm)	Wt lbs (kg)
Product Box	56.4 x 2.4 x 29.5 (1433x62x748)	46.3 (21)
Master Carton	NA	NA

Box Contents	Qty
Wall plate	1
Vertical tilt rail with kickstand	2
Security clip	2
Bottom rail cover	1
Top rail cover	1

Box Contents	Qty
Complete mount installation hardware kit	1
Complete panel attachment hardware kit	1
Installation template	1
Instruction manual	1
Flat panel compatibility guide	1

ULPT-X line drawing



inches (mm)