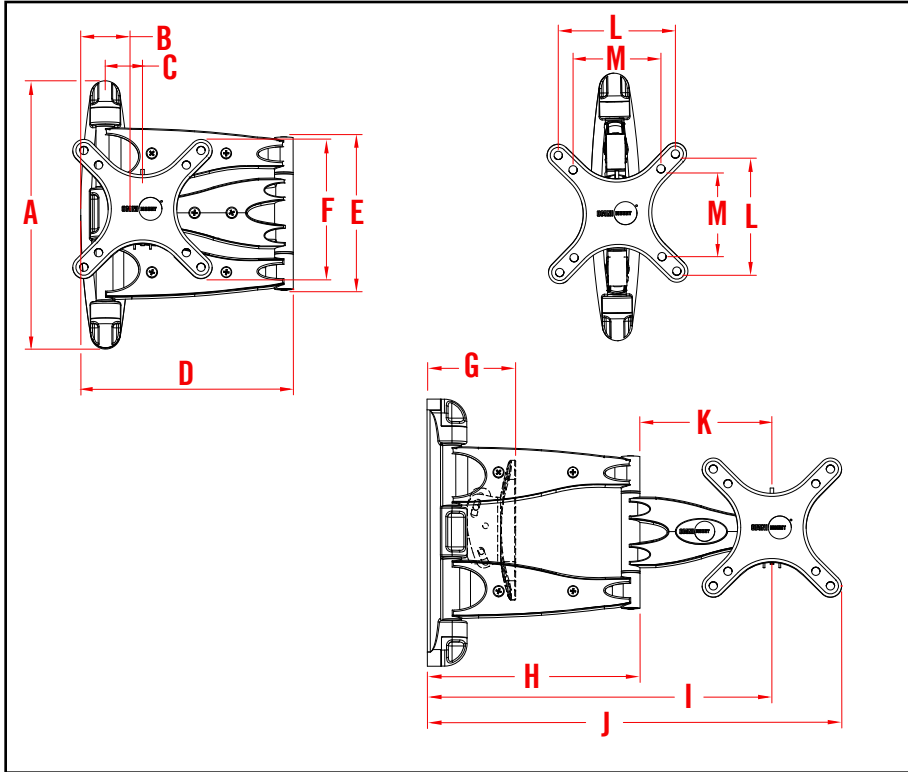




CL-S

SMALL CANTILEVER MOUNT



TECHNICAL SPECIFICATIONS		
A	9.00"	228.60mm
B	1.65"	41.91mm
C	1.00"	25.40mm
D	7.00"	177.80mm
E	5.10"	129.54mm
F	4.69"	119.13mm
G	2.40"	60.96mm
H	7.00"	177.80mm
I	11.50"	292.10mm
J	13.75"	349.25mm
K	4.80"	121.92mm
L	3.94"	100.00mm
M	2.95"	75.00mm

Most versatile mount for Flat Panel Displays
Ideal for displays from 13" - 24"

- Universal VESA 75/100 mount
- Provides optimum viewing angles
- Portrait or landscape positioning
- Low profile design: folds flat against wall
- Integrated cable management
- Lift N' Lock mounting
- Die cast aluminum construction
- 40 lb. (18.1 kg) max weight capacity
- Available in Platinum