



1161 West Sepulveda Blvd. Torrance, CA USA 90502
 TEL: (310)784-5300 FAX: (310)326-6870

Authorized Dealer
 (132 - TECH SOURCE DISTRIBUTORS)
 TECH SOURCE DISTRIBUTORS [CA71143]
 120A KEYSTONE DR
 MONTGOMERYVILLE, PA USA 18936
 Phone: 215-654-1552
 Fax: 215-443-5459
 Attn.:

Bill To:
 TECH SOURCE DISTRIBUTORS
 120A KEYSTONE DR
 MONTGOMERYVILLE, PA USA 18936
 Phone: 215-654-1552
 Fax: 215-443-5459
 Attn:

Ship To:
 Sample 123' Cincecurve Screen
 ,
 Phone:
 Fax:
 Attn:

Estimate#	Estimated By	Estimate Date	Project Name	Project Manager	Requested By
189073	Jon Farquharson	6/23/2009*			Jon Farquharson

#	Item Description	Qty.	MSRP	Unit Price	NET Amount
1	CC122SST13G3WMX CineCurveModel# : CC122SST13G3WMX Image Size: 48in x 112.75in (122.5in diag.) Aspect Ratio: 2.35 : 1 Min. Masked Image Size: 48in x 64in (80in diag.) Aspect Ratio: 1.33 : 1 Material: StudioTek 130 G3 ***MicroPerf, Full Screen -Front Projection SeamlessCinemasonic Processor(s): 3(110V) Screen Overall Dimension: 55.5in x 116in Frame Overall Dimension: 60.125in x 131.375in Finish: VeLux Mounting: Wall. *With Perimeter Cover* Projector: PLANAR - PD8150 (16:9)	1	\$23,031.00	\$23,031.00	\$23,031.00
1a	BRIC-CineCurve BRIC Controller (BRIC-CineCurve) BRIC Controller Controller for CineCurve and VistaScope 120v 60Hz USA	1	\$0.00	\$0.00	\$0.00

Estimate Information

Need By Date : 6/24/2009
 Est. Shipping Schedule :
 Ship Via :
 Freight Charges : Prepaid & Add To Invoice
 Dimension & Weight : (W) " x (H) " x (L) " Weight: lbs.
 FOB :

Sub-Total: \$23,031.00
Sales Tax(\$0.00 %): \$0.00
(Est.) Shipping & Handling: \$0.00
Grand Total: \$23,031.00

* Proposal Firm for 90 days from quote date * Currency: USD

Purchase Order#	Authorized Signature	P.O. Date

To accommodate regular accounts on drop ship delivery, we can (at our option) prepay transportation, with invoicing to include actual freight cost and a copy of the freight bill included therewith. In no case will any factory estimate of such costs be considered as final and binding unless quote states F.O.B. point to be destination.

Applicable sales tax will be added for destinations within the state unless for resale by authorized dealer, substantiated by a signed Resale Certificate on hand or furnished prior to shipment.

Screen Material:
StudioTek 130 G3

Aspect Ratio:
2.349

Mounting:
Wall Mount

Frame Color:
VeLux

Control(s):
BRIC-CineCurve

Projector:
Mfg:PLANAR - Model: PD8150 (16:9)

Image Brightness:

Perforation:
MicroPerf

Dealer:
TECH SOURCE DISTRIBUTORS

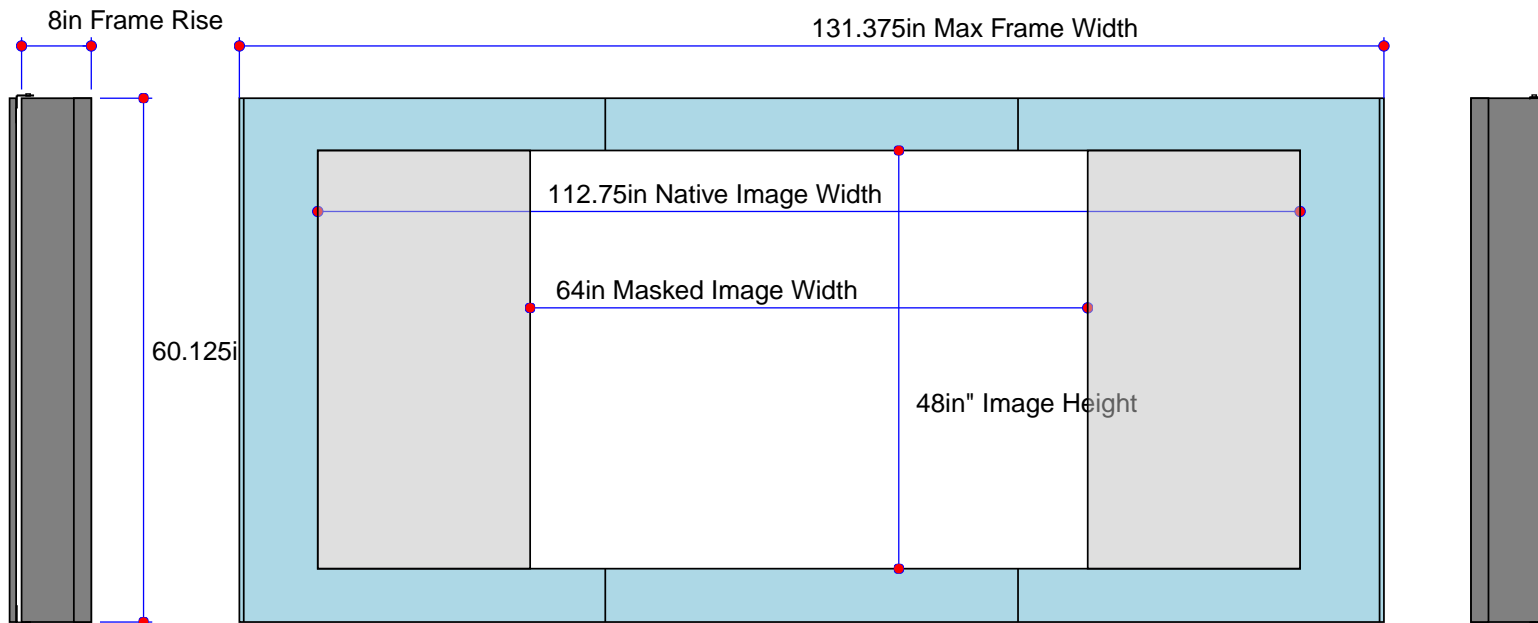
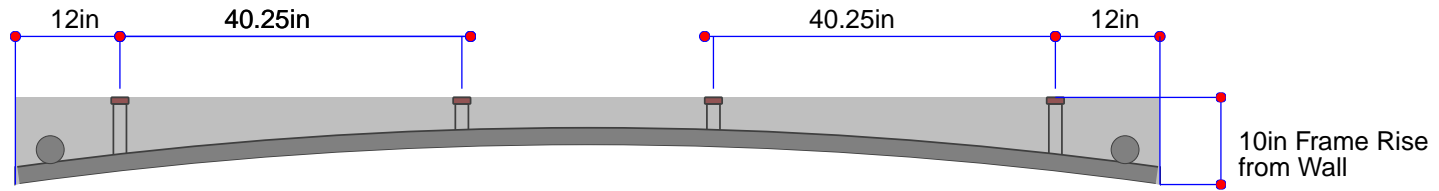
Project Name:
Requested By:
Jon Farquharson

Estimated By:
Jon Farquharson

Estimate Date:
6/23/2009

Need By:
6/24/2009

Screen Diagram



Acceptance Date:

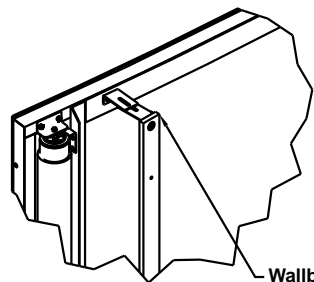
Customer Acceptance Signature:

Notes:

Wall Mount Wall mount

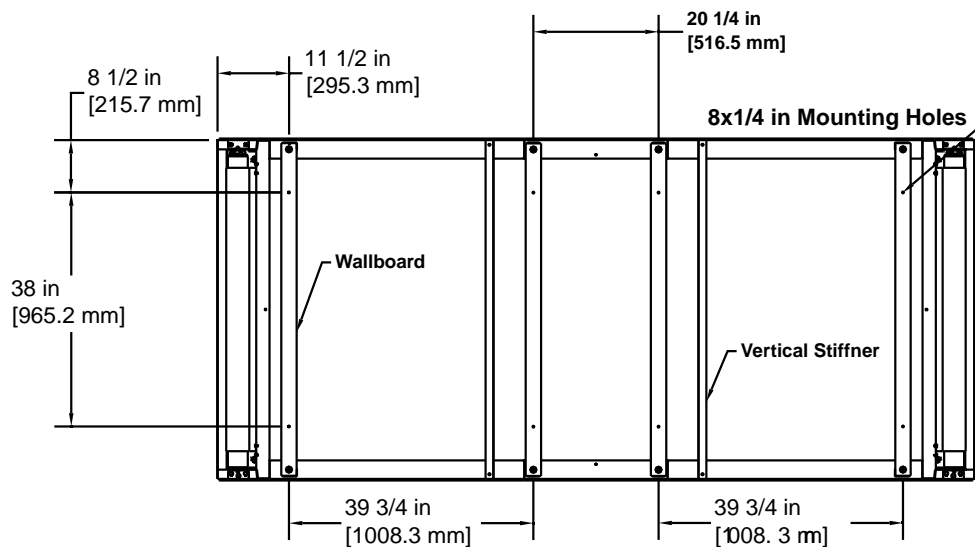
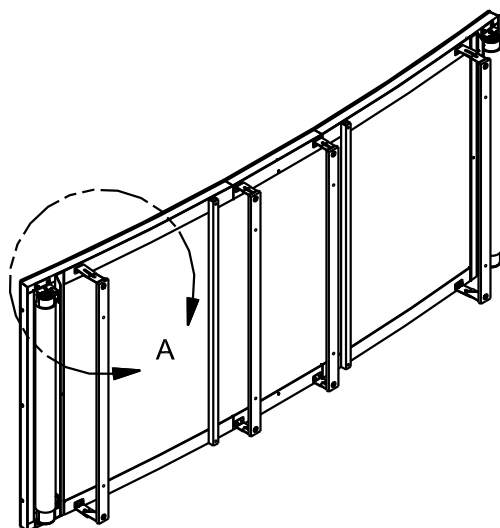
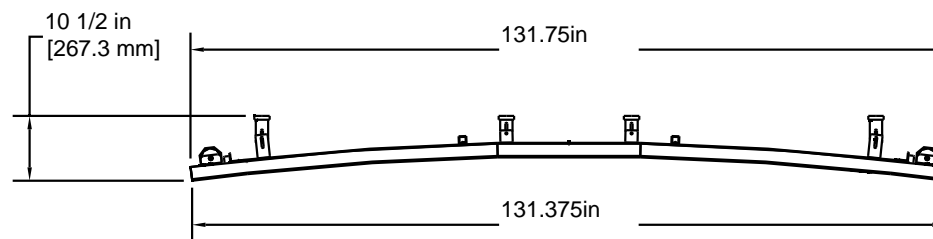
Estimate #: **189073**

Screen Material: StudioTek 130 G3	Aspect Ratio: 2.349	Mounting: Wall Mount	Frame Color: VeLux
Control(s): BRIC-CineCurve	Projector: Mfg:PLANAR - Model: PD8150 (16:9)	Image Brightness:	Perforation: MicroPerf
Dealer: TECH SOURCE DISTRIBUTORS	Project Name:	Requested By: Jon Farquharson	Estimated By: Jon Farquharson
		Estimate Date: 6/23/2009	Need By: 6/24/2009



Wallboard and Mounting Bracket Assembly

DETAIL A
SCALE 1 / 15



Acceptance Date:

Customer Acceptance Signature:

Notes:

Dealer: TECH SOURCE DISTRIBUTORS	Project Name:	Requested By: Jon Farquharson	Estimated By: Jon Farquharson	Estimate Date: 6/23/2009	Need By: 6/24/2009
-------------------------------------	---------------	----------------------------------	----------------------------------	-----------------------------	-----------------------

